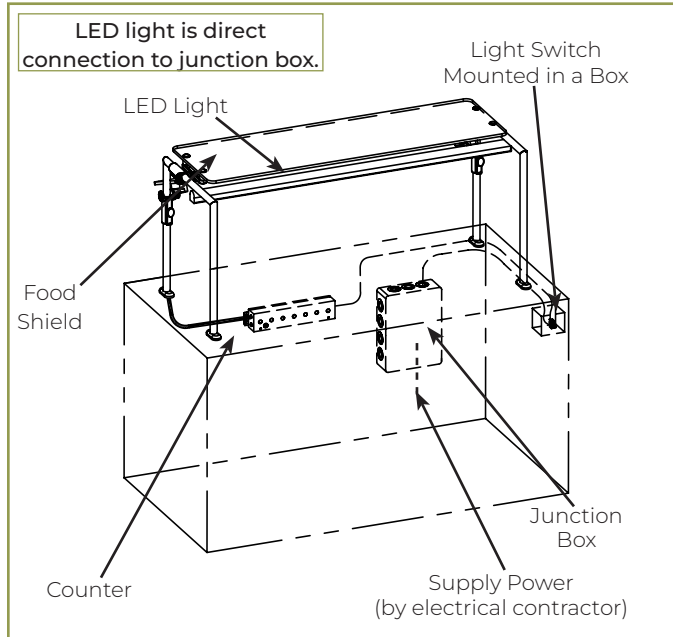
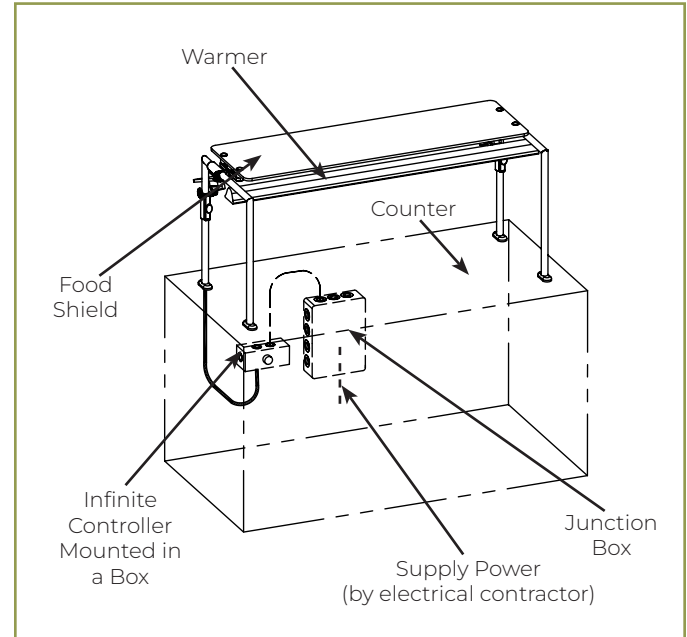


WIRING INSTALLATIONS

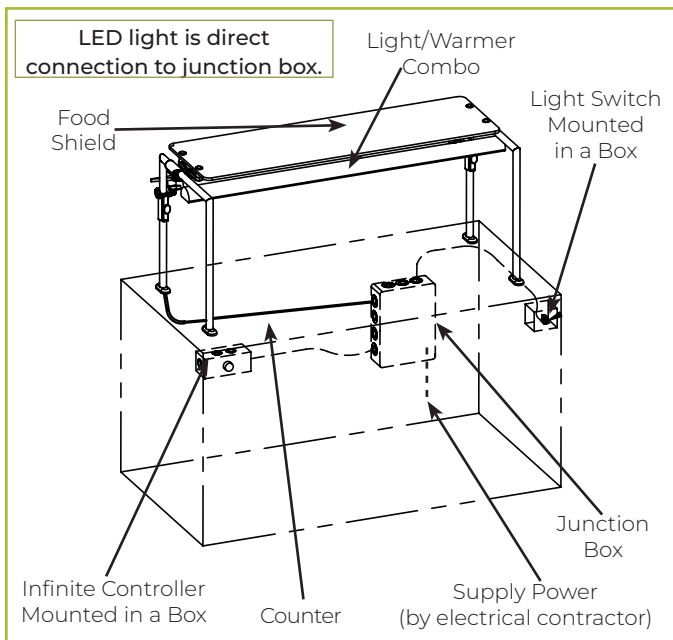
Slimline 2580 LED Light



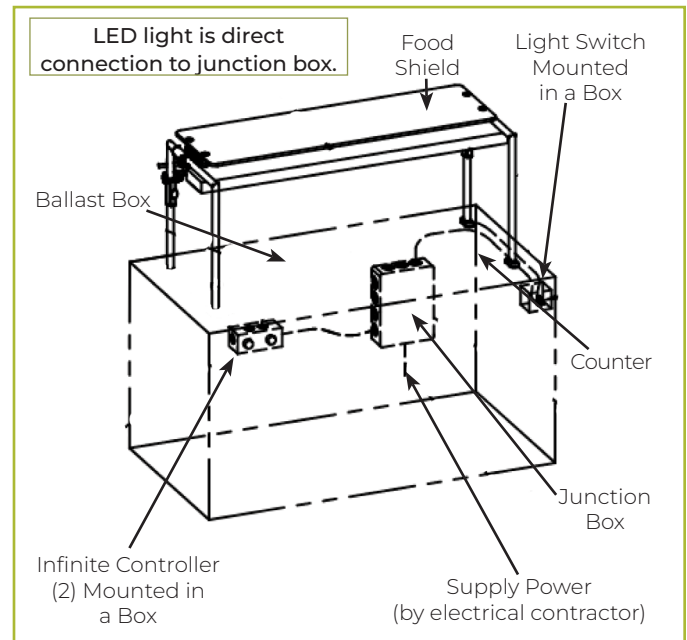
Stealth 790 Warmer



Stealth 705 LED Light & Warmer Combo



Stealth 500 LED Heat/Light/Heat Combo

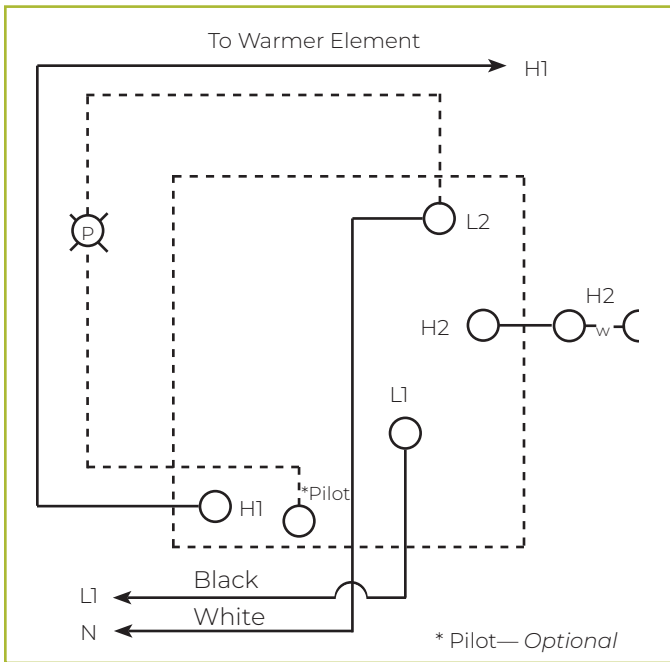


INSTALLATION INFORMATION

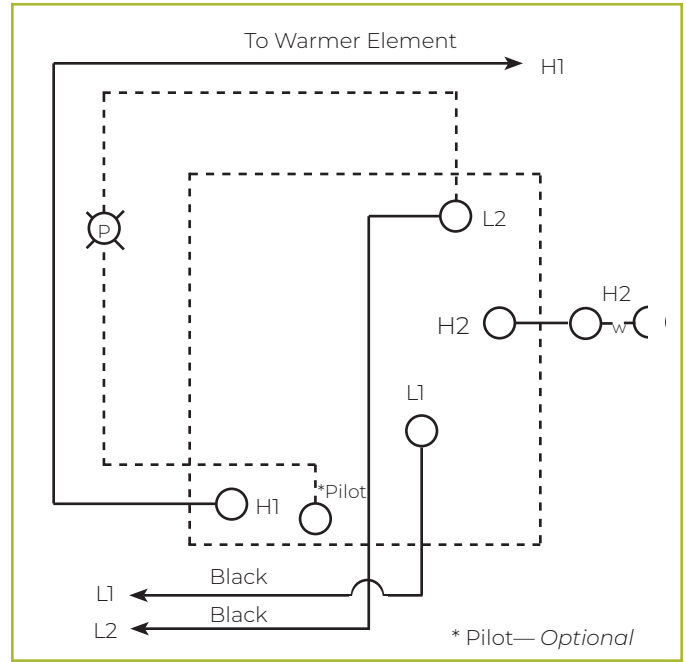
- All wiring should be performed by a certified technician.
- Wires are routed through wire chase/support legs per approved shop drawings.
- Mount the infinite controllers near the wire chase/support leg.
- The infinite controllers, light switch, and six feet of conduit/wiring exiting support legs are provided with all BSI lights & warmers.

WIRING DIAGRAMS

Remote Infinite Control for Stealth Warmer/Combo Units

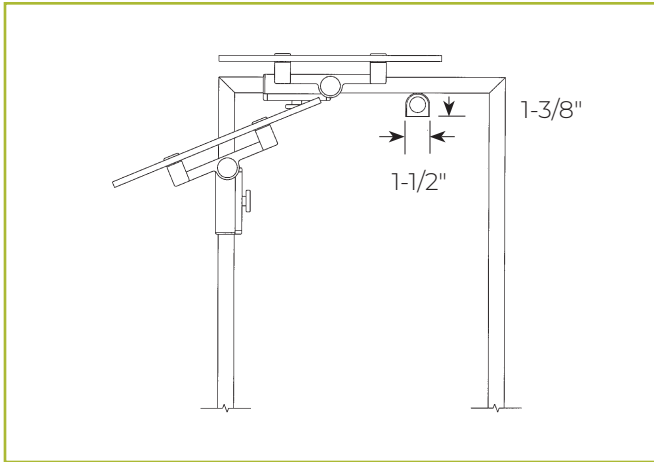


Infinite Switch (120V) - Part #581

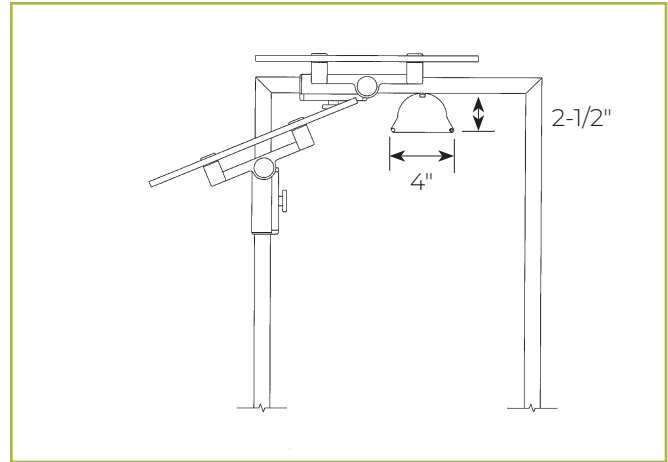


Infinite Switch (208V/240V) - Part #582

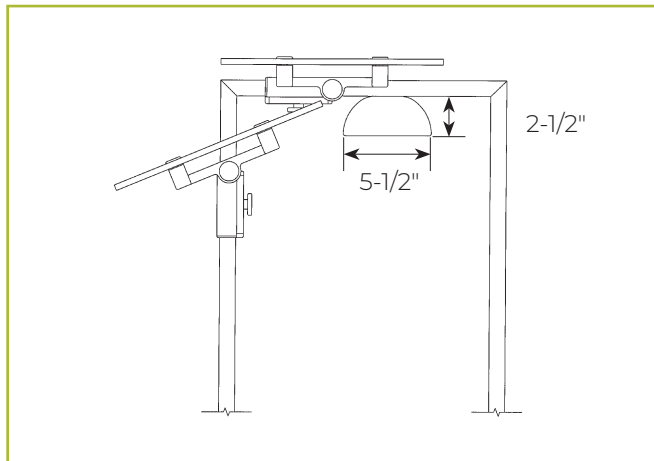
SAMPLE ZGUARD® LIGHT/WARMER LAYOUTS BASED ON A ZG9930 CONFIGURATION



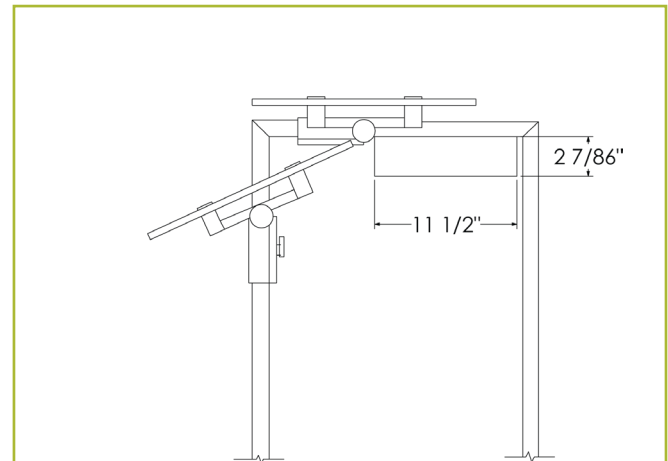
ZG9930 with Stealth 2580 Slimline Light



ZG9930 with Stealth 790 Warmer



ZG9930 with Stealth 705 Light/Warmer Combo



ZG9930 with Stealth 500 Heat/Light/Heat Combo